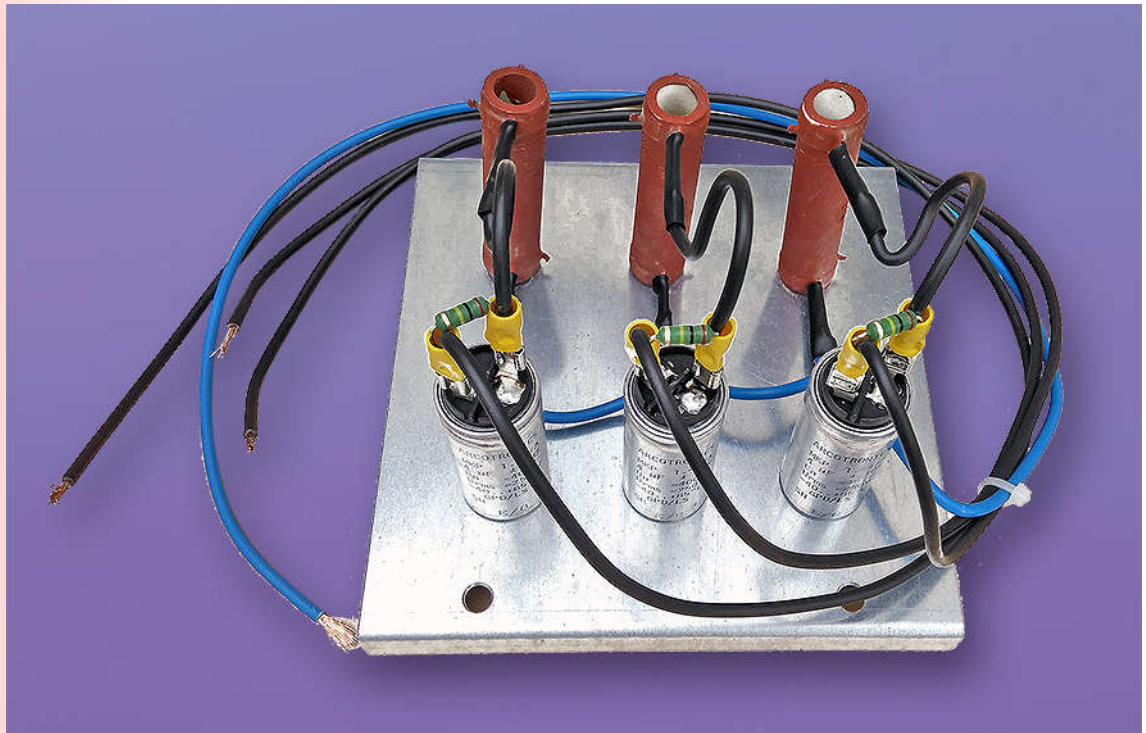


MINIMUM LOAD MODULE

Modul nultog tereta

Broj dijela: E14136

EK MNT BNSP-20000



The EK MNT BNSP-20000 Minimum Load Module is designed to ensure minimum system power while the system is unloaded. Also, the EK MNT BNSP-20000 is used to dissipate overvoltage which is generated unloaded system.

Modul nultog tereta EK MNT BNSP-20000 namijenjen je osiguranju minimalne struje rada sustava dok sustav nije opterećen. Također, modul nultog tereta EK MNT BNSP-20000 služi i za disipaciju prenapona nastalog kod rasterećenja sustava.

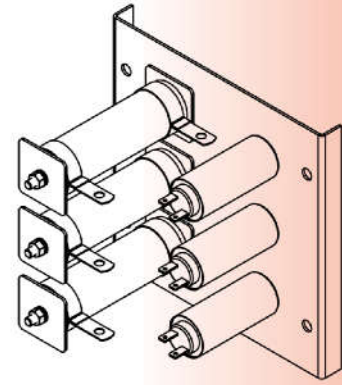
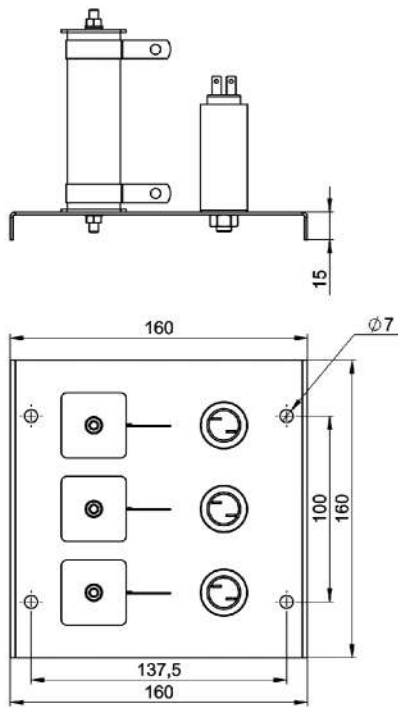
**UNINTERRUPTIBLE
POWER SUPPLY**

ELEKTROKEM



industrijska elektronika

A. Šenoa 69, Vugrovec, 10360 Sesvete, Hrvatska
tel. +385 1 2051 400, fax. +385 1 2051 406
elektrokem@elektrokem.hr
<http://www.elektrokem.hr>



Input voltage / Ulazni napon	3x230 V AC
Consumption during operation / Potrošnja sklopa tijekom rada	~200W
Temperature range / Radna temperatura okoline	- 25°C to +40°C
Dimensions / Dimenzije:	Width x Depth x Height / Širina x Dubina x Visina 160 x 124 x 160 mm
Weight / Masa	670 g

EK MNT BNSP-20000