

ALTO GENESIS SAT



Extract from HiFi Test

"The listening test proved the value of the impressive deep bass qualities" "While the satellite speakers provided the necessary crystal-clear mid- to high-range fill-in" "The testers at HiFi Test only have one recommendation to make Buy!"

Verdict: very good

Extract from Audio

"A masterly performance - the bass system produced such deep, deep bass attacks with such amazing clarity from its bandpass cabinets that it ended up with no less than 50 points."

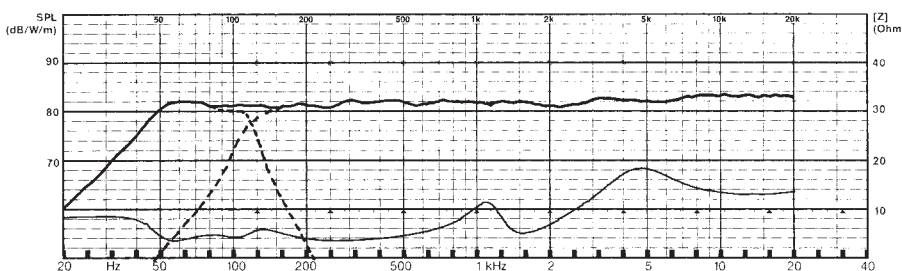
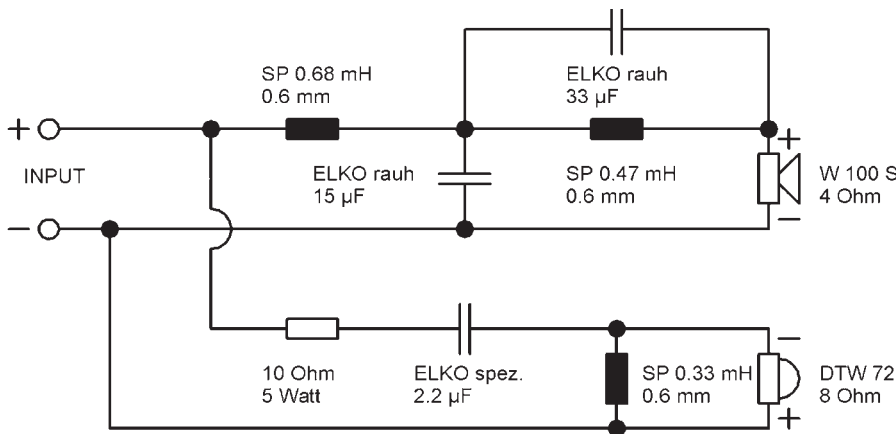
Value for money: very good

Characteristics and sound properties

Just because your sitting-room isn't large enough for big speakers, doesn't mean you have to do without high-quality sound. The VISATON subwoofer satellite system, ALTO Genesis, provides excellent listening pleasure in a very small space.

Separating the subwoofer into two cabinets - left and right channels - means that the assignment to the corresponding satellite speaker is hidden. On the other hand, the two subwoofers can also be placed together as mono subwoofers. The bandpass subwoofer cabinet contains the 13 cm long-stroke woofer W 130 S 8 Ohm. The well-balanced driver, cabinet and frequency parameters enable the subwoofer to be separated off at 110 Hz with a slope rate of 30 dB/octave. That is a level seldom achieved even by active subwoofers. The satellite speakers are also steeply cut off towards the bottom end by means of an optimised crossover unit. This optimised coupling technique means the position of the subwoofer is in reality not determinable.

The small shelf-mounted satellite speakers produce the lively high frequencies and a balanced mid-range and provide the overall spatial qualities required. The tuning frequency cuts in at 110 Hz.



Technical Data:

Nominal power handling with high pass:	80 Watt
Peak power handling with high pass:	150 Watt
Nominal impedance:	4 Ω
Frequency response:	38 – 28.000 Hz
Mean sound pressure (nominal) (1 W/1 m):	82 dB
Cut-off frequency:	110 Hz, 4000 Hz

Principle of Housing: Bass reflex

Net volume:	3 l
Outer dimension:	height: 243 mm
	width: 160 mm
	depth: 180 mm

ALTO GENESIS SAT

Component parts list for 1 box:

Tweeter:	DTW 72	8 Ω	
			1 piece
Midrange driver:	W 100 S	4 Ω	
			1 piece
Crossover:	Alto Piccolo/ Genesis Sat with terminal, cables and plugs		
Bass reflex tube:	BR 6.8		1 piece (length 6,5 cm)
Damping material:			0,5 bags
Wood screws:			
3,5 x 19 mm			4 pieces
3,5 x 25 mm			5 pieces

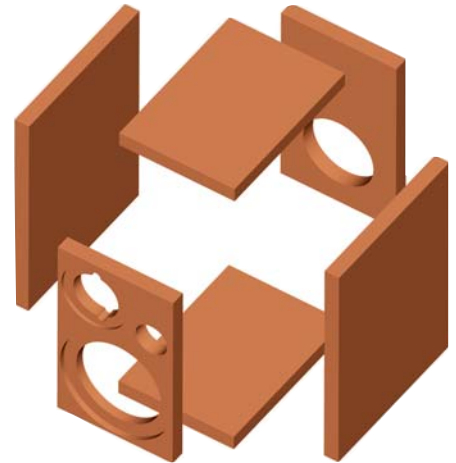
Accessories:

Protective grille:			
NG 4" (for W 100 S)			1 piece

Cabinet parts list for 1 box

Material: 16 mm chipboard or MDF

Parts	Size (mm)	Quantity
Front and rear panel	211 x 128	4
Top and bottom panel	180 x 128	4
Side panel	243 x 180	4



Building instructions

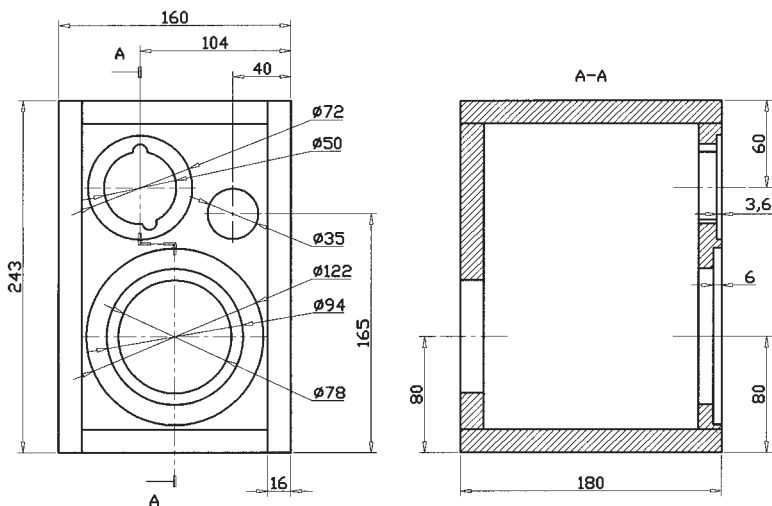
In order to simplify the cabinet construction as far as possible, we have done without the chamfers shown in the photo. If you prefer to include the all-round front chamfer, you will need the following information:

Sat: 10 mm; 30°

First of all, the individual boards are cut to size (refer to cutting list), stuck together (butt jointed) as shown in the drawing and firmly clamped for the duration of the drying time using sash cramps or parcel tape. Once the cabinet has been completely built, the cut-outs are made for the bass tube and terminals using a jig-saw. The last job is the surface treatment, i.e. painting, veneering or adhesive film.

Inner damping

A half of a mat is put into each satellite.



Alto Genesis Sat